

[54] **COMBINED SIGN AND SUPPORT BRACKET**  
[75] Inventor: **James Emmett**, Greeley, Colo.  
[73] Assignee: **Magnolia River Manufacturing Corp.**,  
Greeley, Colo.  
[\*\*] Term: **14 Years**

[21] Appl. No.: **29/097,687**  
[22] Filed: **Dec. 11, 1998**

[51] **LOC (7) Cl.** ..... **20-03**  
[52] **U.S. Cl.** ..... **D20/10; D20/42; D8/381**  
[58] **Field of Search** ..... D20/10, 40, 41,  
D20/42, 43, 44; 248/220.22; D8/349, 354,  
363, 373, 381; 40/584, 602, 606, 607, 617,  
613, 642.02; 211/105, 105.2, 94.01

[56] **References Cited**

**U.S. PATENT DOCUMENTS**

D. 407,011 3/1999 Boije ..... D8/381  
D. 411,738 6/1999 Raasch et al. .... D8/381  
5,101,989 4/1992 Jones ..... 211/94.01

**OTHER PUBLICATIONS**

Magnolia River Manufacturing, Grocery Industry Catalog  
1998, page displaying bakery shelving, page displaying  
adjustable shelf supports.

*Primary Examiner*—Susan I. Lucas  
*Assistant Examiner*—Jennifer Rivard  
*Attorney, Agent, or Firm*—John R. Ley

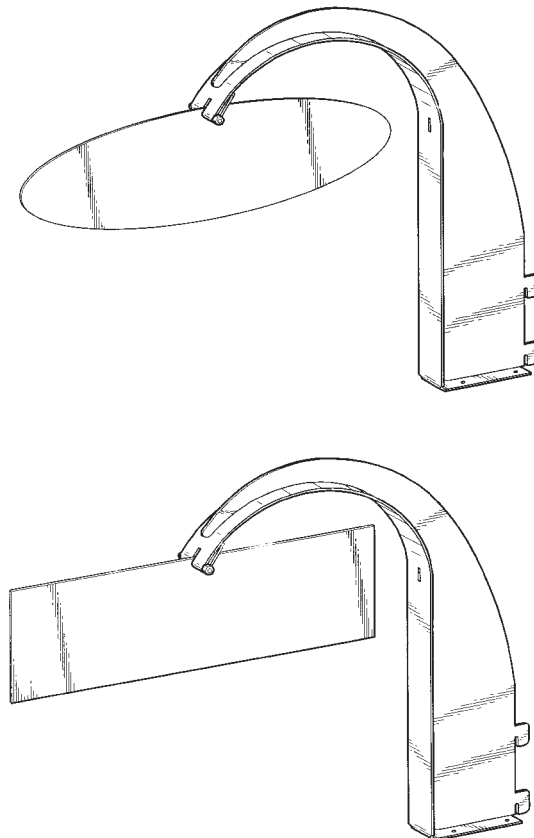
[57] **CLAIM**

The ornamental design for the combined sign and support  
bracket, as shown and described.

**DESCRIPTION**

FIG. 1 is a perspective view of a combined sign and support  
bracket showing one embodiment of my new design;  
FIG. 2 is a right side elevational view thereof;  
FIG. 3 is a left side elevational view thereof;  
FIG. 4 is a rear elevational view thereof;  
FIG. 5 is a front elevational view thereof;  
FIG. 6 is a top view thereof;  
FIG. 7 is a bottom view thereof.  
FIG. 8 is a perspective view showing another embodiment  
of my new design;  
FIG. 9 is a right side elevational view of the other embodi-  
ment thereof;  
FIG. 10 is a left side elevational view of the other embodi-  
ment thereof;  
FIG. 11 is a rear elevational view of the other embodi-  
ment thereof;  
FIG. 12 is a front elevational view of the other embodi-  
ment thereof;  
FIG. 13 is a top view of the other embodiment other  
embodiment thereof; and,  
FIG. 14 is a bottom view of the other embodiment thereof.

**1 Claim, 8 Drawing Sheets**



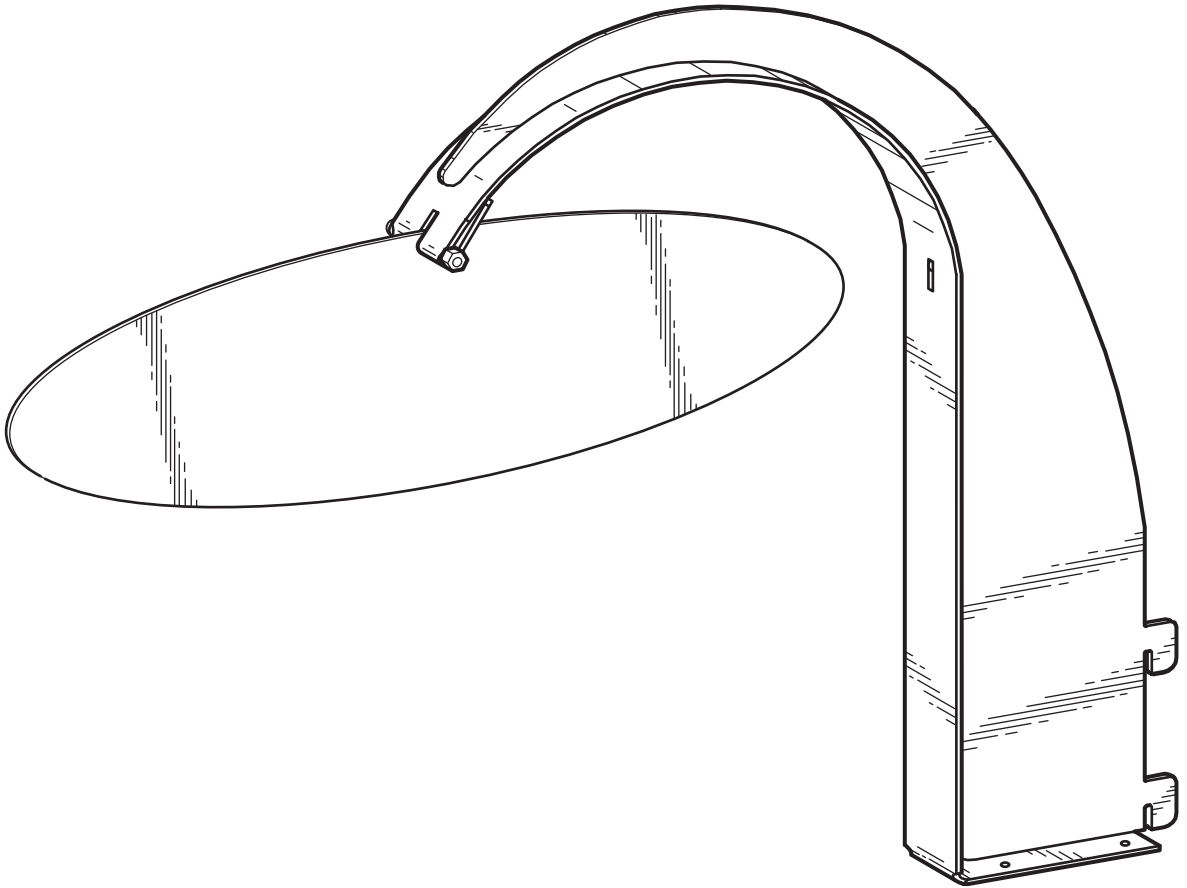


FIG.1

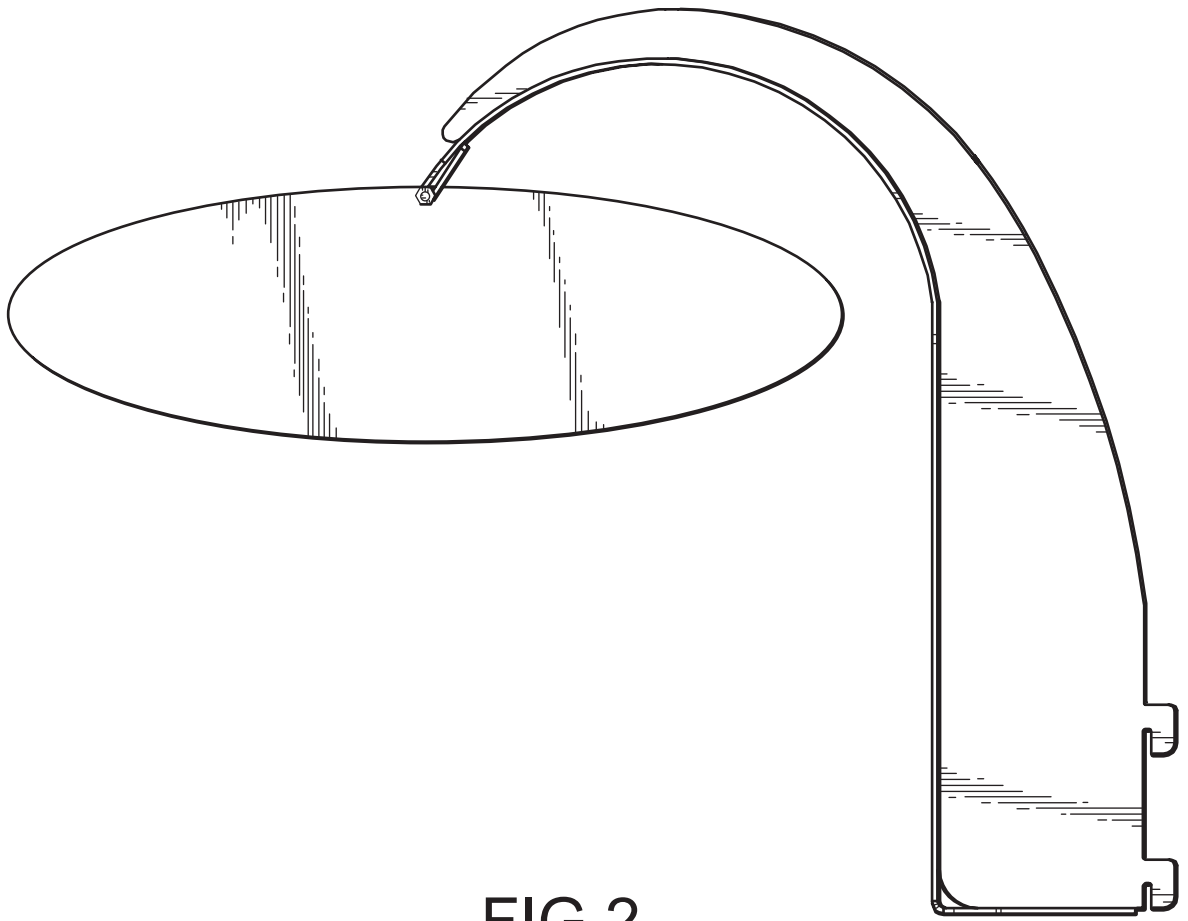


FIG.2

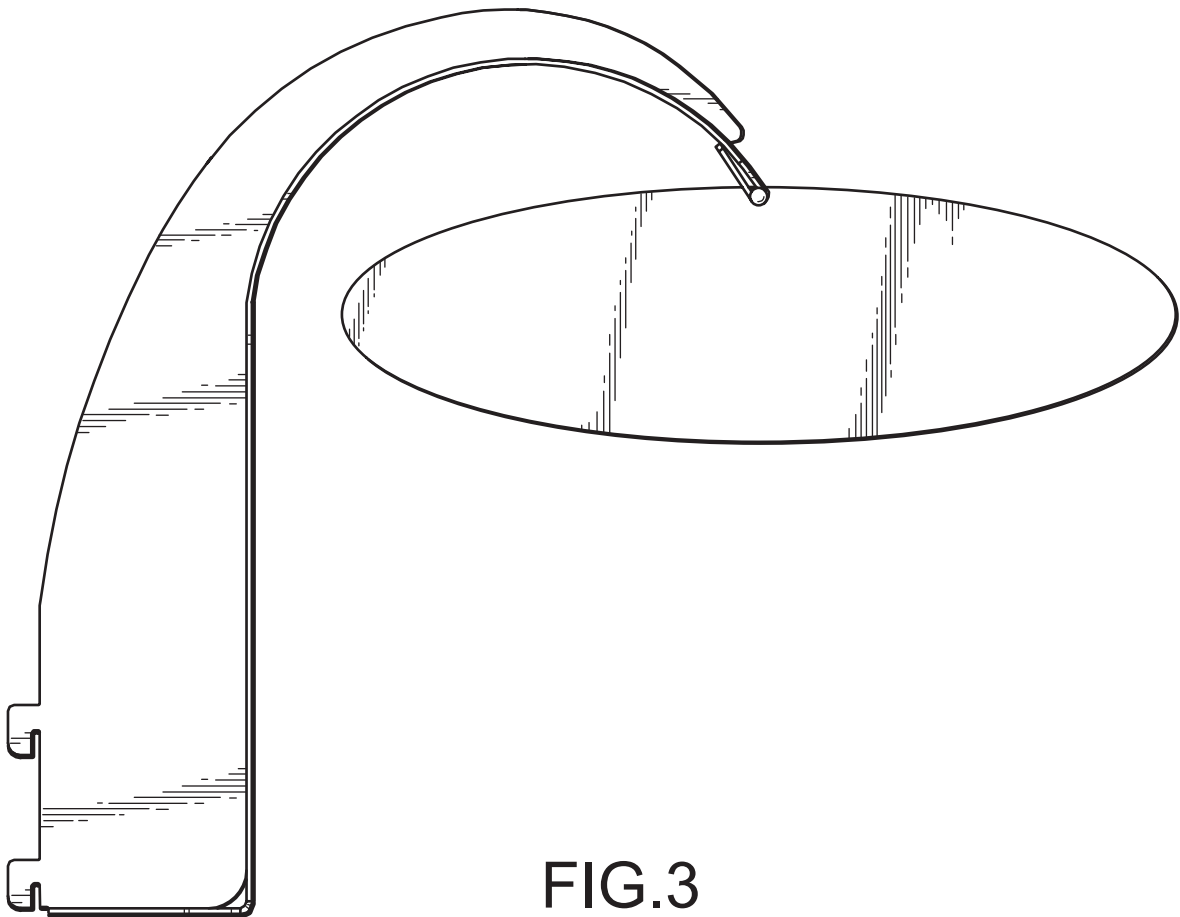


FIG.3

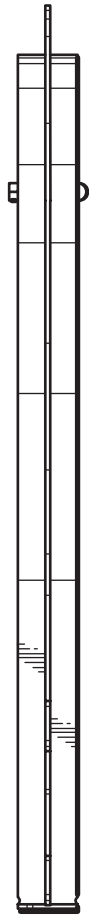


FIG.4



FIG.5

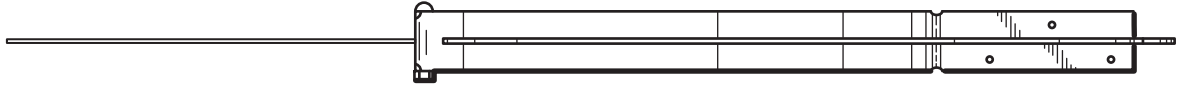


FIG.6

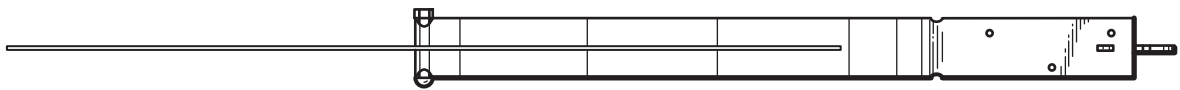


FIG.7

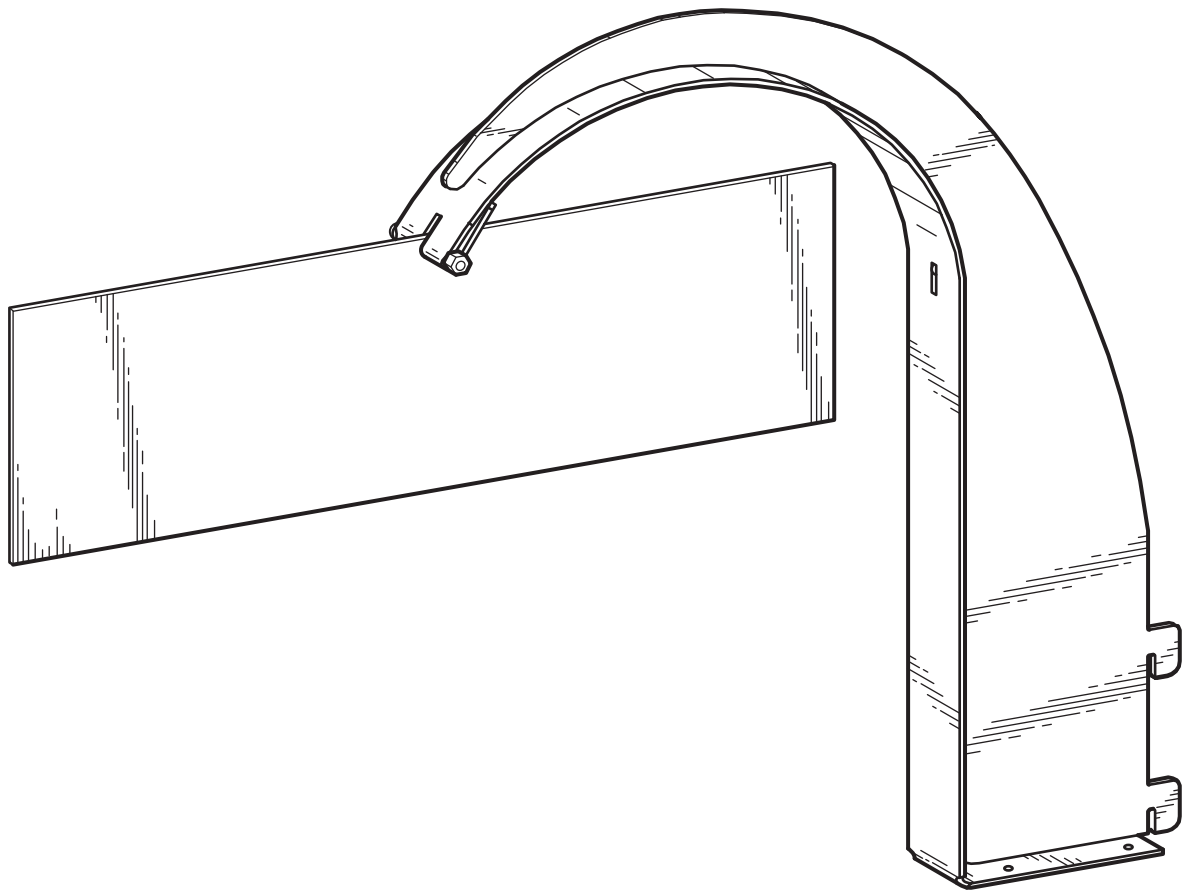


FIG.8

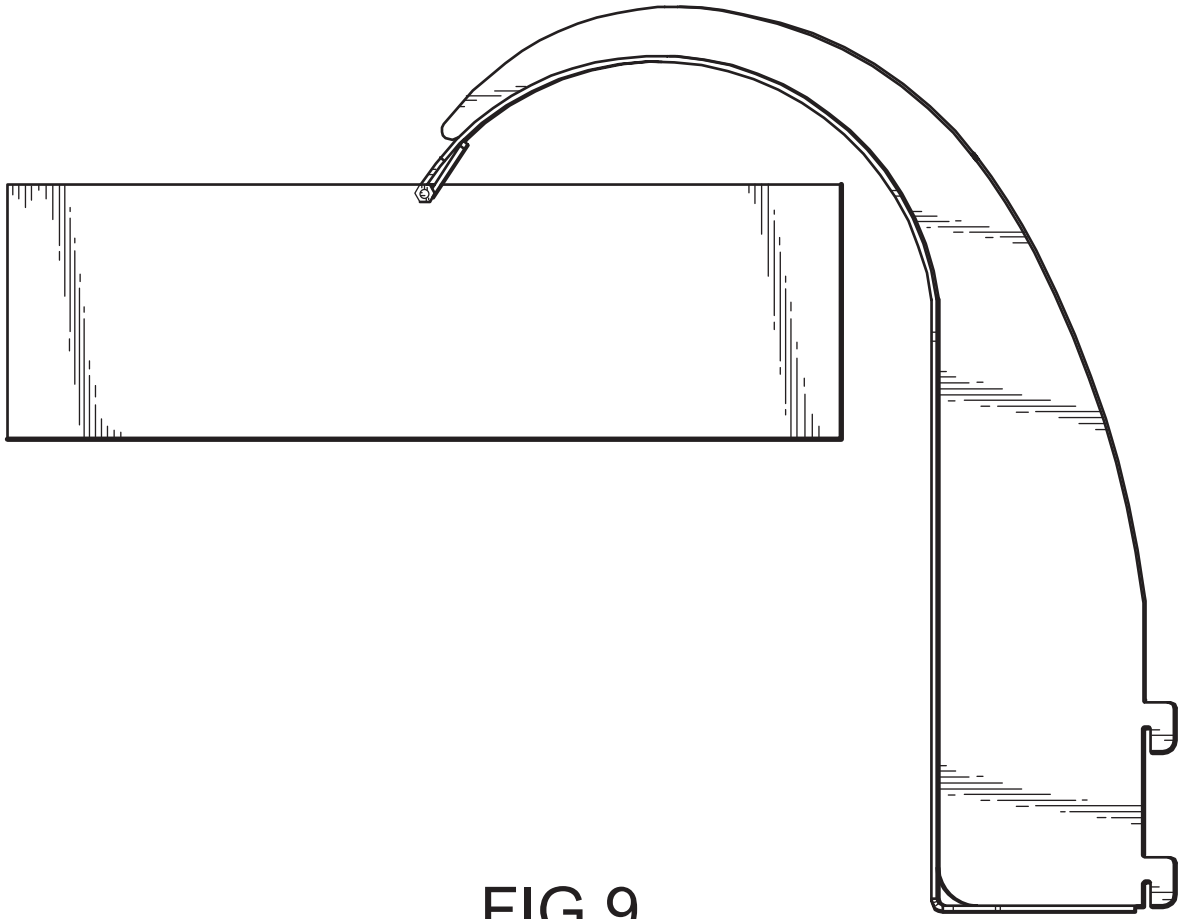


FIG.9

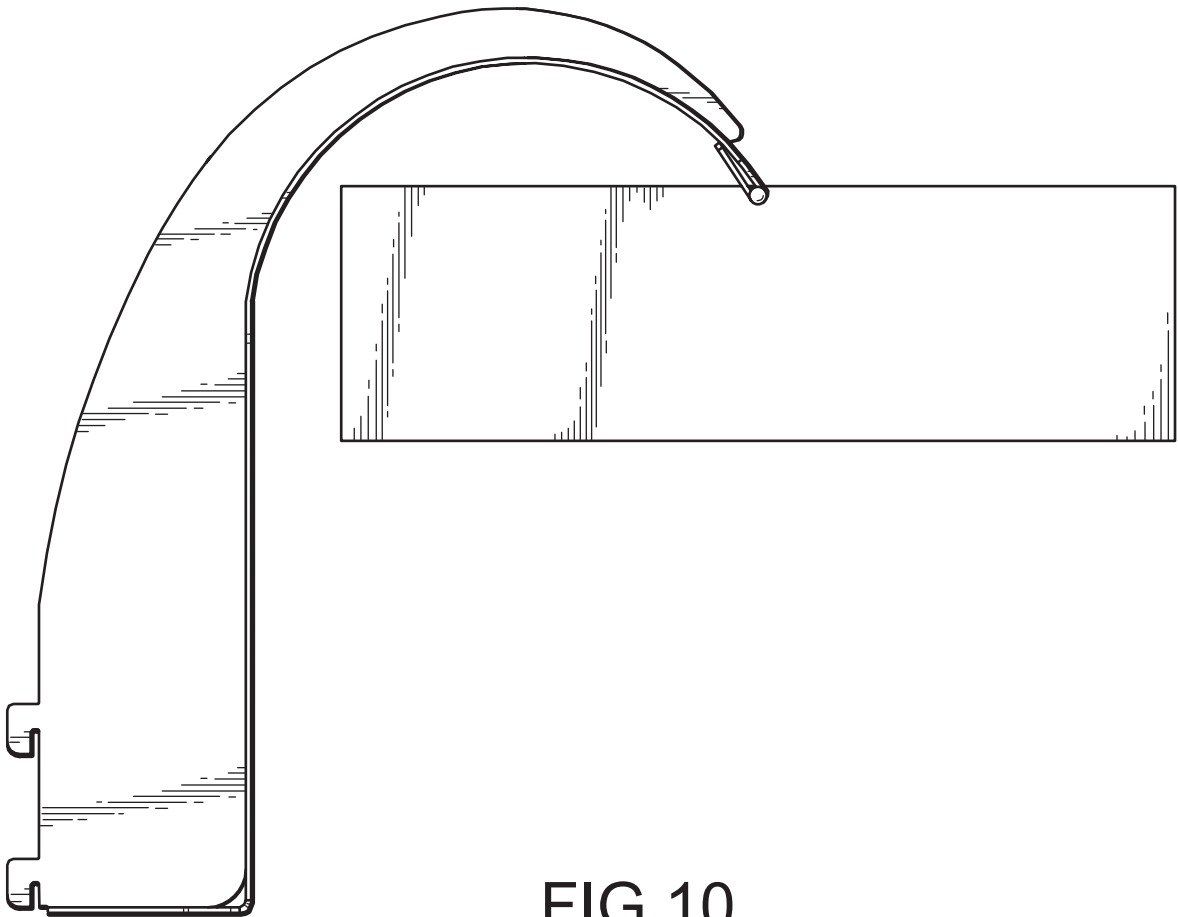


FIG.10

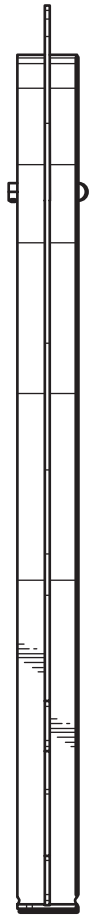


FIG.11



FIG.12

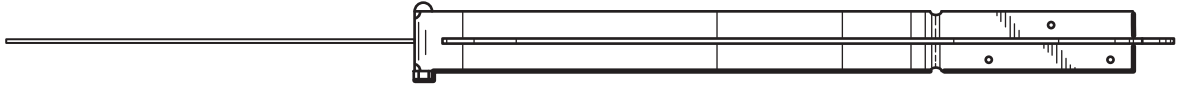


FIG.13

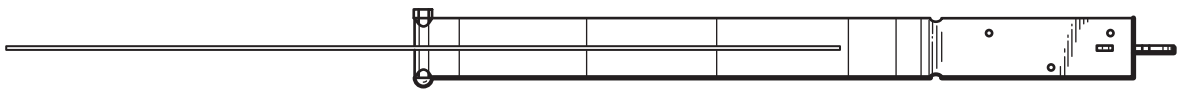


FIG.14