

[54] **MODULAR TABLET COMPUTER SYSTEM**

[75] Inventors: **David L. Armitage**, Golden; **David Roecker**, Denver; **Jerry Greenwald**, Lakewood; **Joe Kapushion**, Broomfield; **Jim Keen**, Denver; **Randy Leander**, Littleton, all of Colo.

[73] Assignee: **QuBit, LLC**, Lakewood, Colo.

[21] Appl. No.: **09/127,547**

[22] Filed: **Jul. 31, 1998**

[51] **Int. Cl.**⁷ **G06F 13/00**

[52] **U.S. Cl.** **709/250**

[58] **Field of Search** 345/169; 361/680, 361/681, 682, 683, 686; 709/200, 217, 218, 250

[56] **References Cited**

U.S. PATENT DOCUMENTS

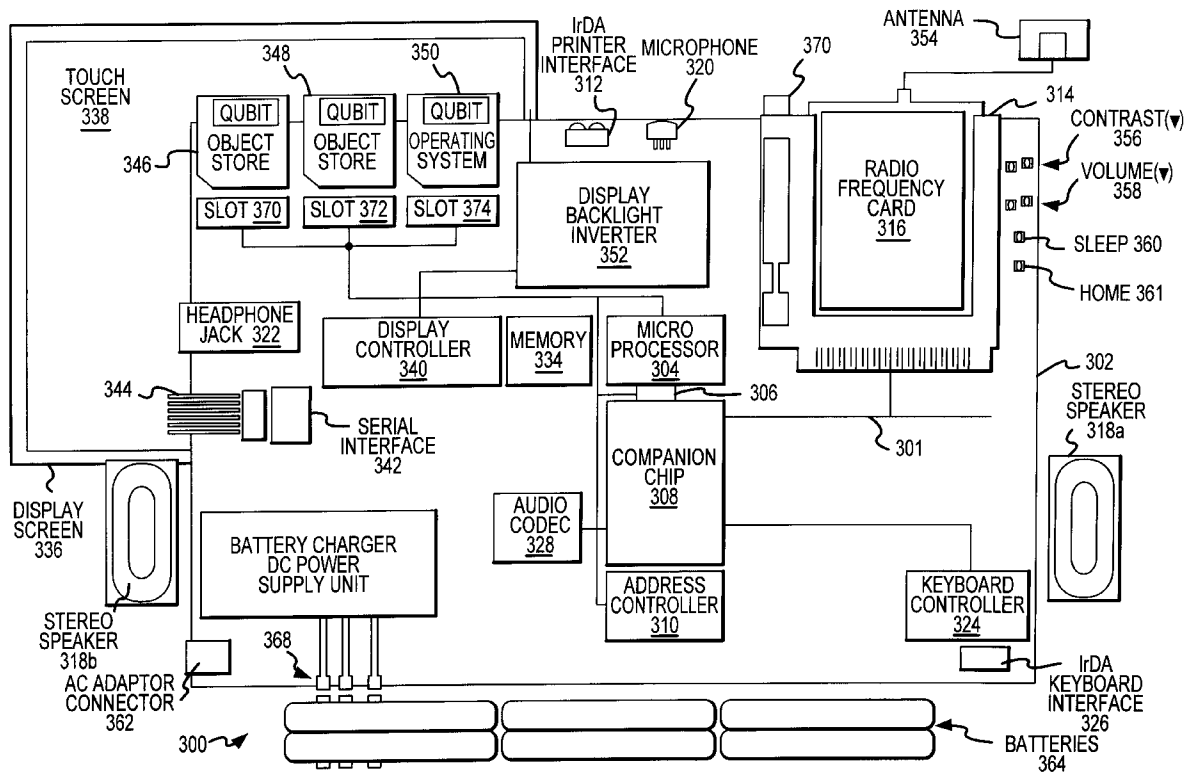
D. 392,259	3/1998	Simmon .	
5,247,285	9/1993	Yokota et al.	361/680
5,264,992	11/1993	Hogdahl et al.	361/681
5,307,297	4/1994	Iguchi et al.	345/169
5,408,382	4/1995	Shultz et al.	361/686
5,552,957	9/1996	Brown et al.	361/683

Primary Examiner—Robert B. Harrell
Attorney, Agent, or Firm—Merchant & Gould P.C.

[57] **ABSTRACT**

A computer housing or case contains computer system components including a display unit, a processor, and a computer power supply unit. One or more handles are positioned at a side of the case to allow a user to hold the encased computer system while viewing the display. A case has a support interface structure to hold the case steady in an upright position. The support interface structure of the case mates with a complimentary support interface in the weight-supporting base unit and mates with guides to align a power supply port in the case to contact a power supply port in the base unit. A base unit has a drawer guide to receive a keyboard by lifting the keyboard above a support surface. A modular computer system comprises a tablet computer, a base unit, and a remote keyboard. A first infrared communication device couples the tablet computer to the remote keyboard and other input peripherals. A second infrared communication device couples the tablet computer to a remote printer. A radio frequency network adapter couples the tablet computer to the base unit, which provides additional communications to an external communications network.

22 Claims, 15 Drawing Sheets



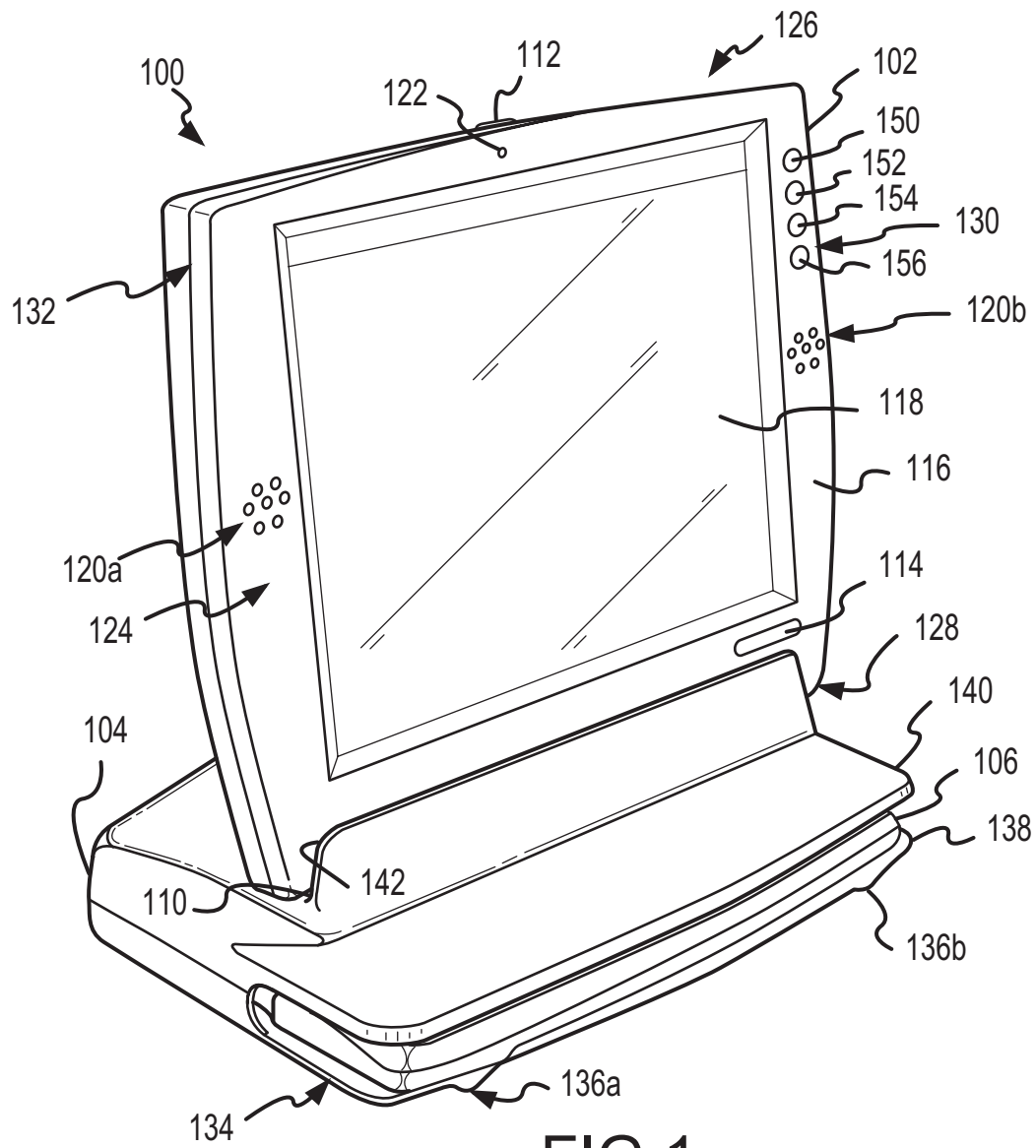


FIG.1

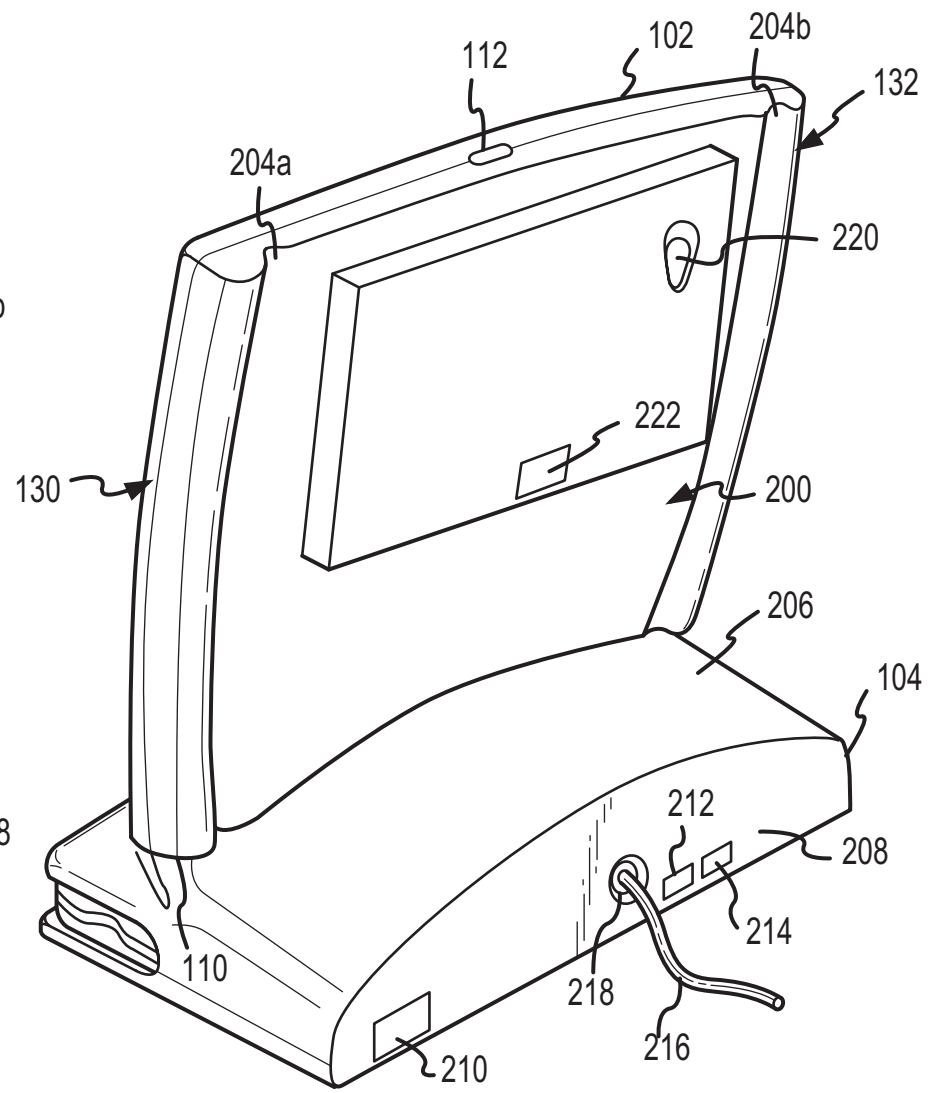


FIG.2

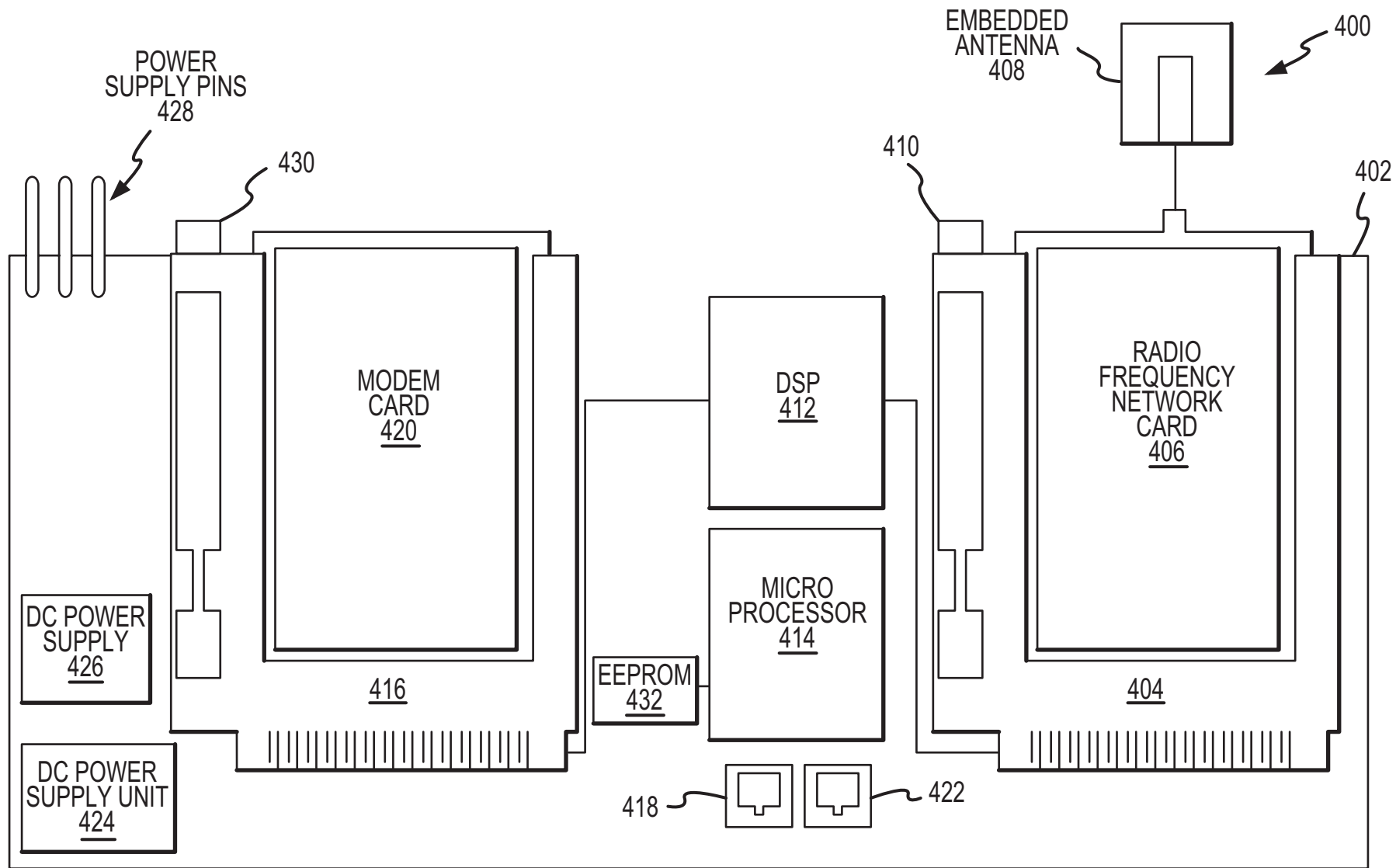


FIG.4

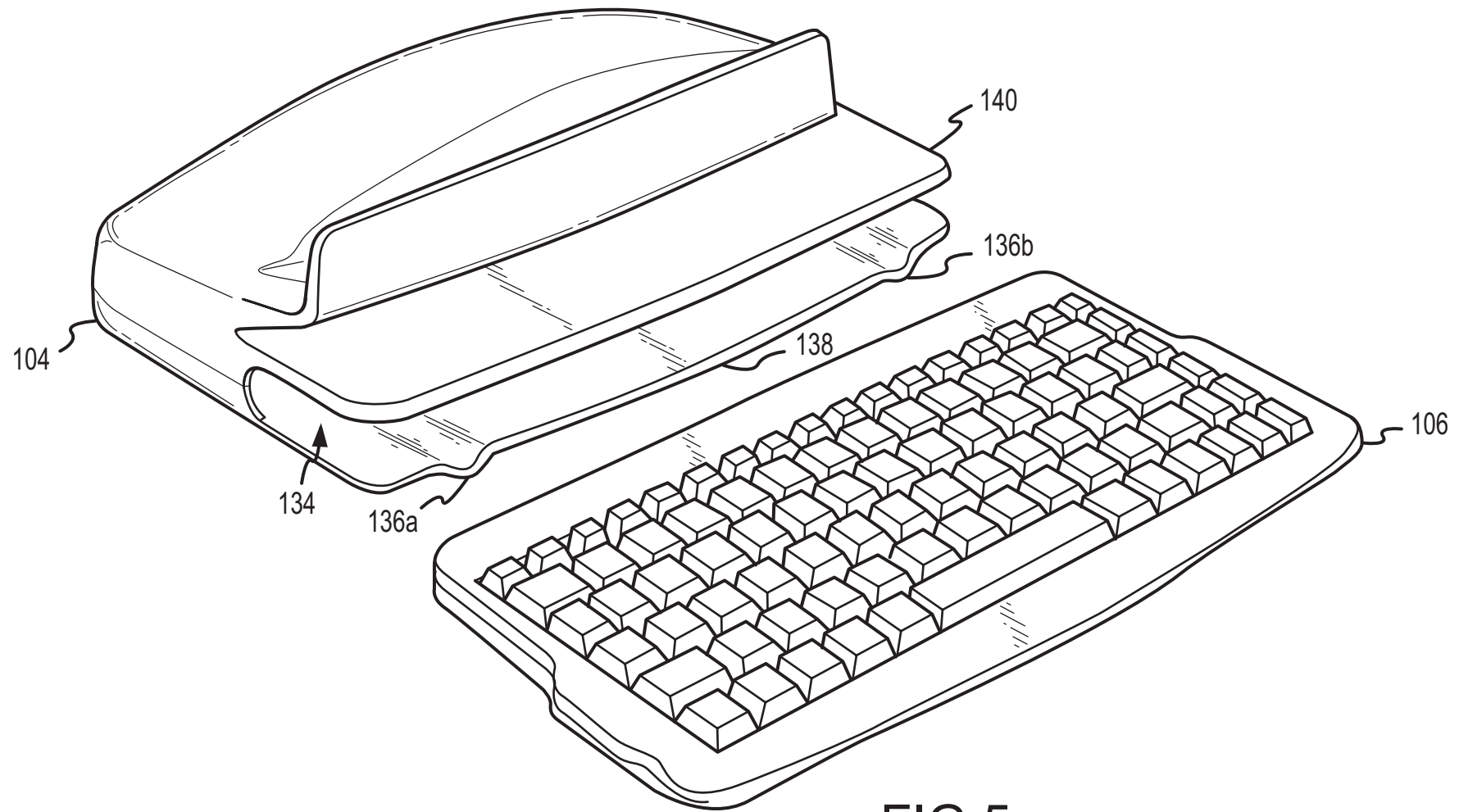


FIG.5

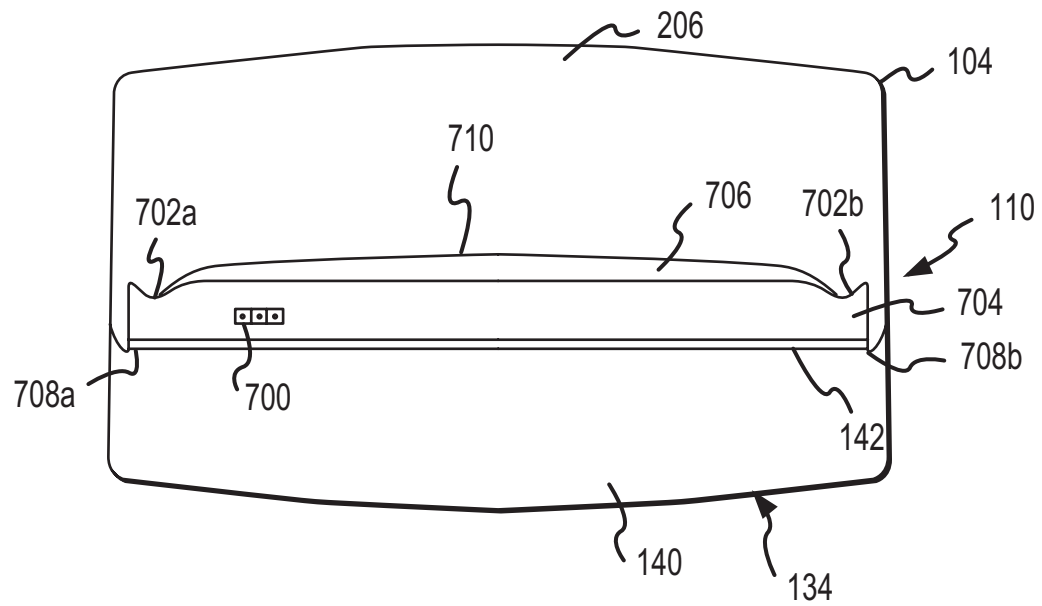


FIG. 7

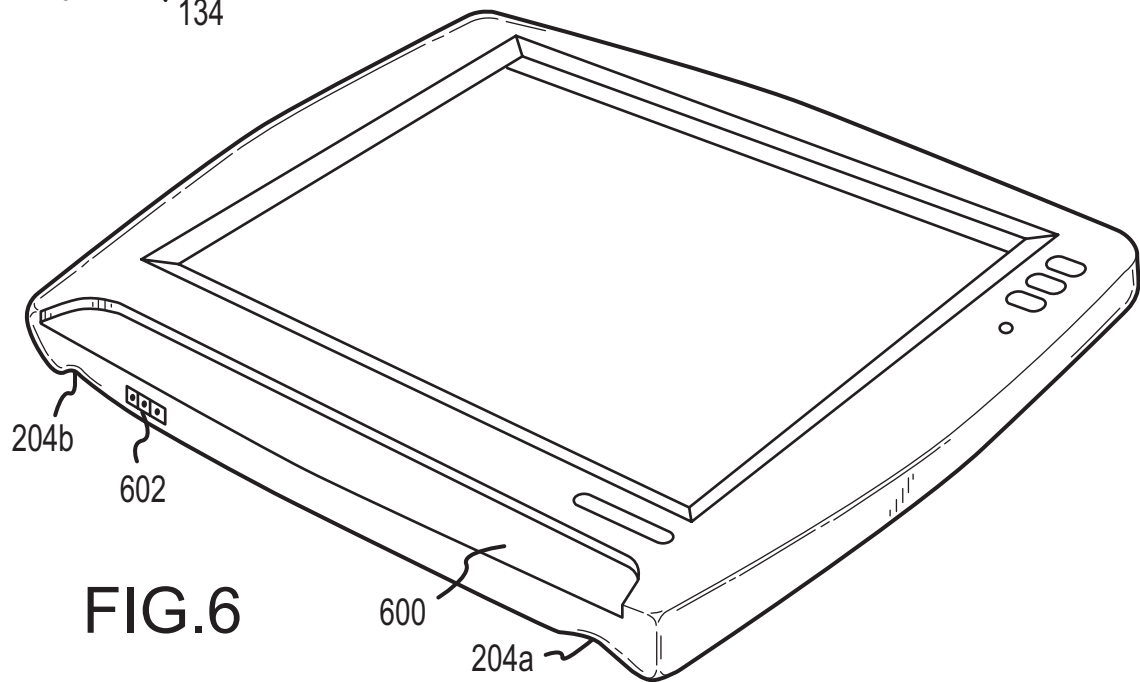


FIG. 6

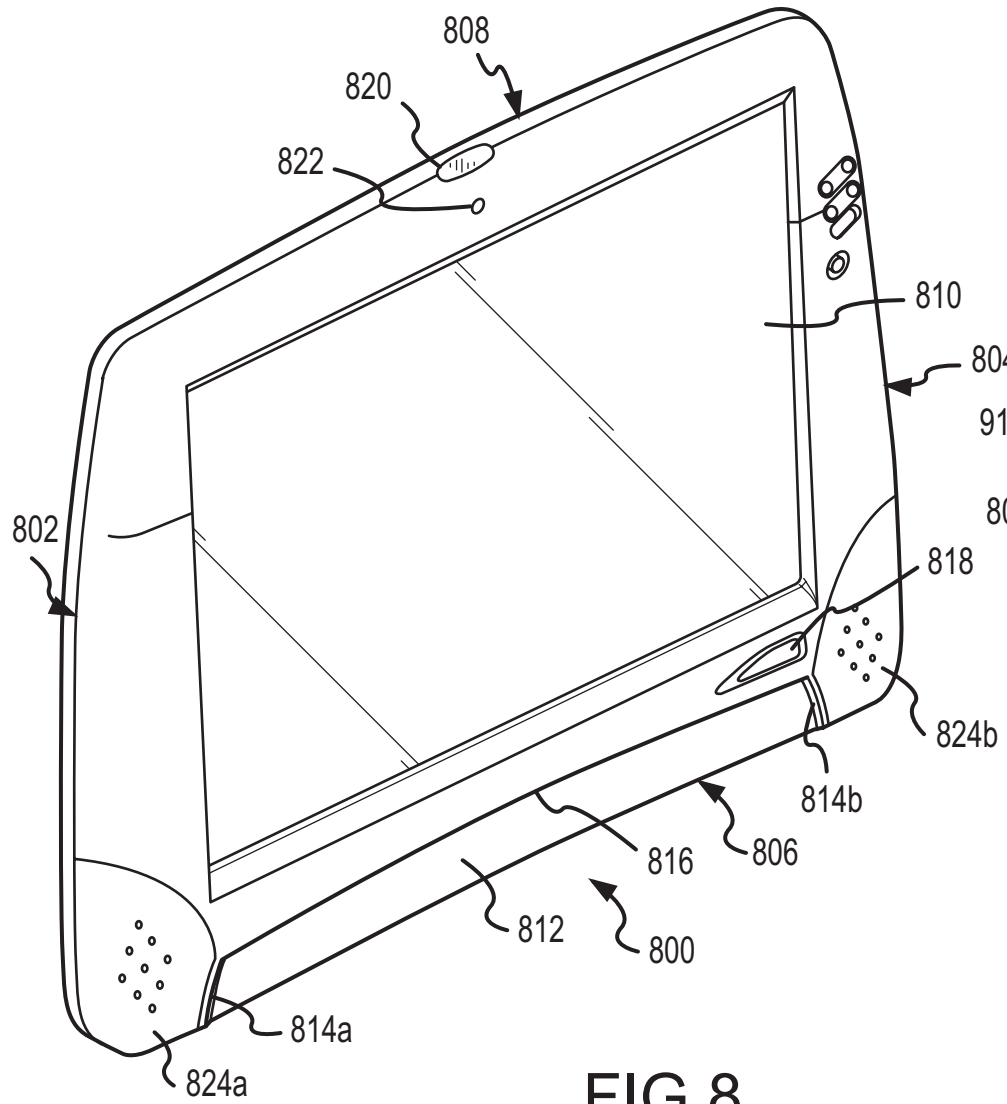


FIG. 8

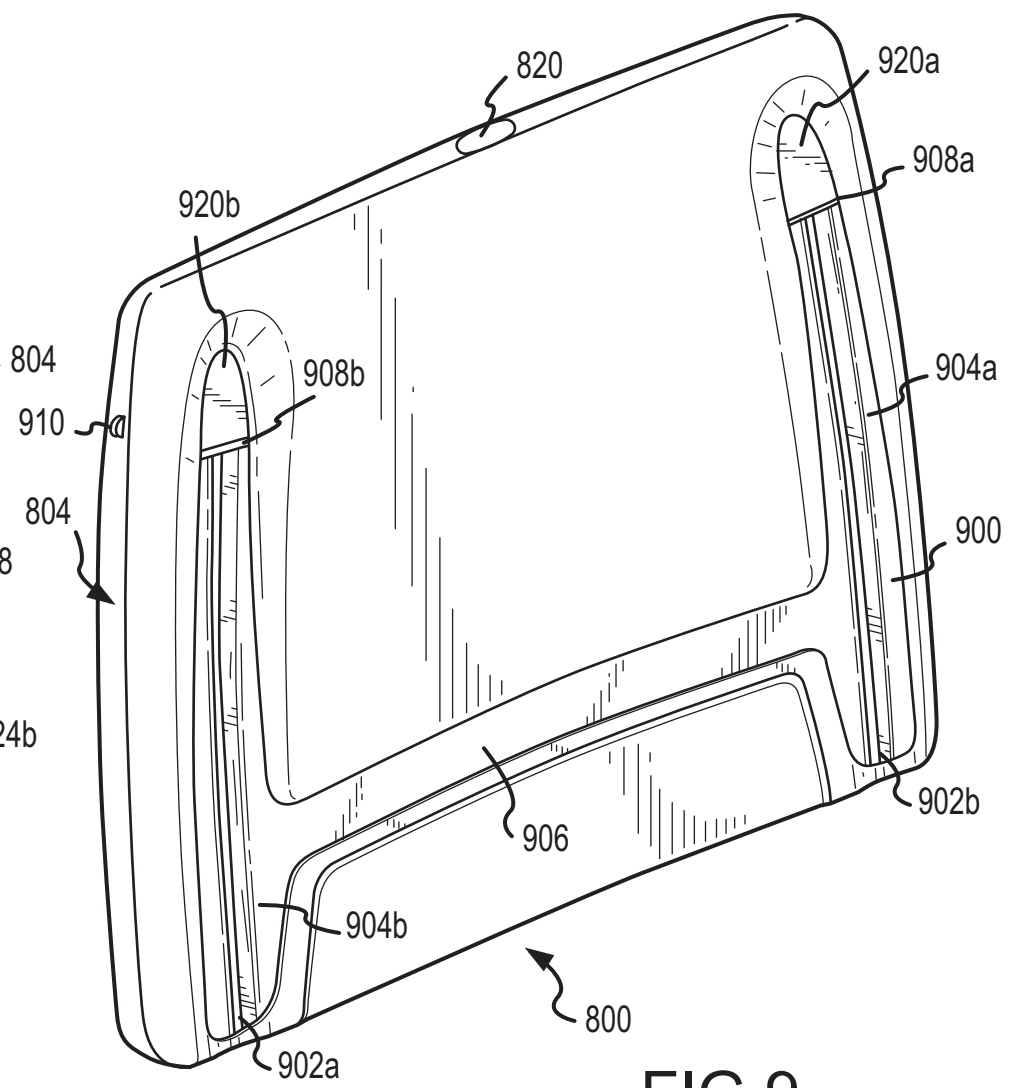


FIG. 9

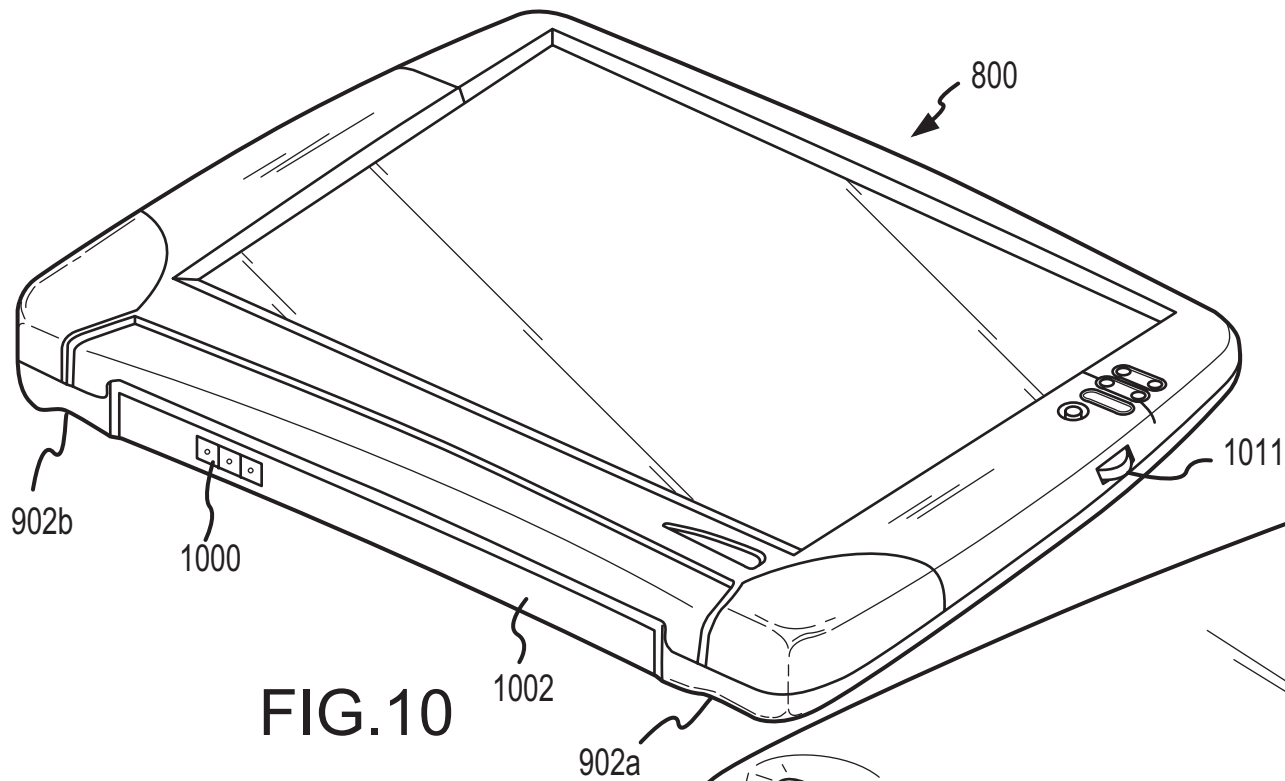


FIG. 10

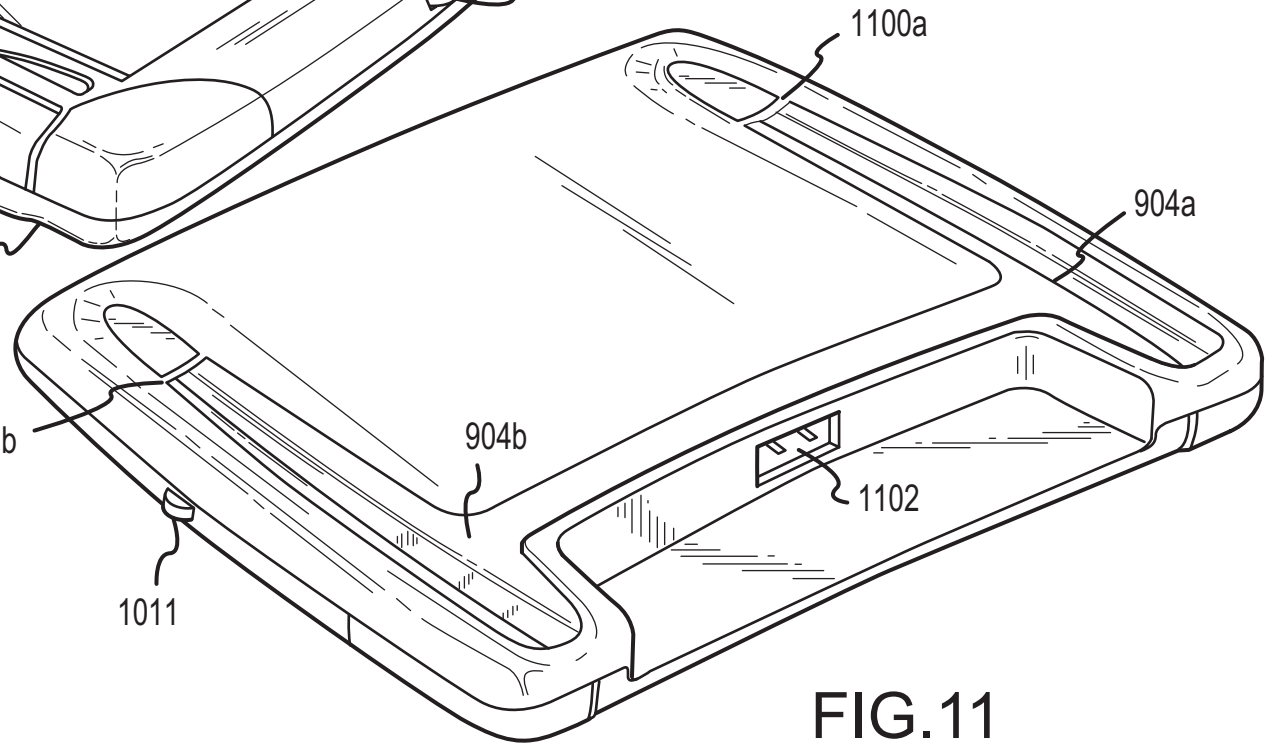


FIG. 11

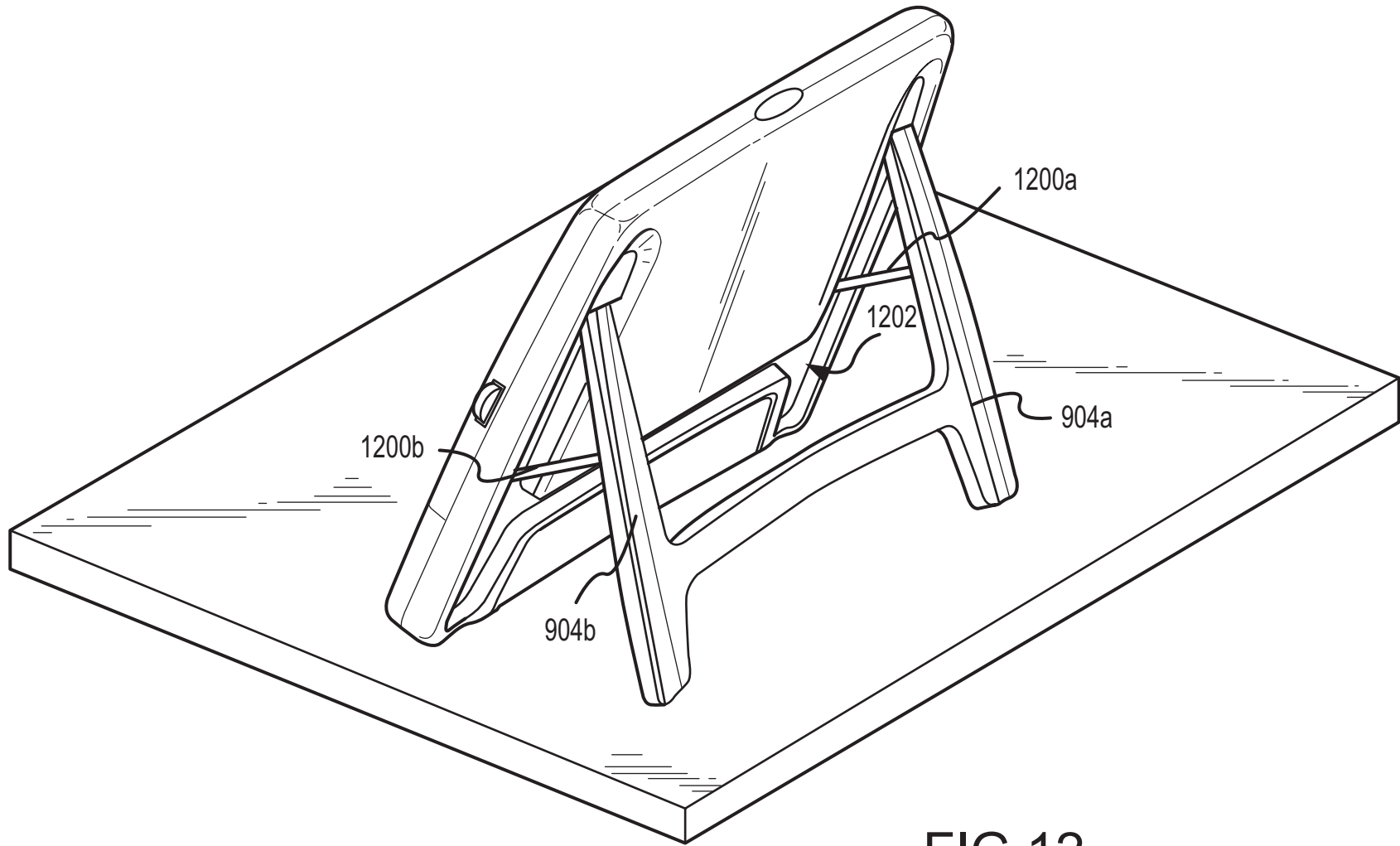


FIG.12

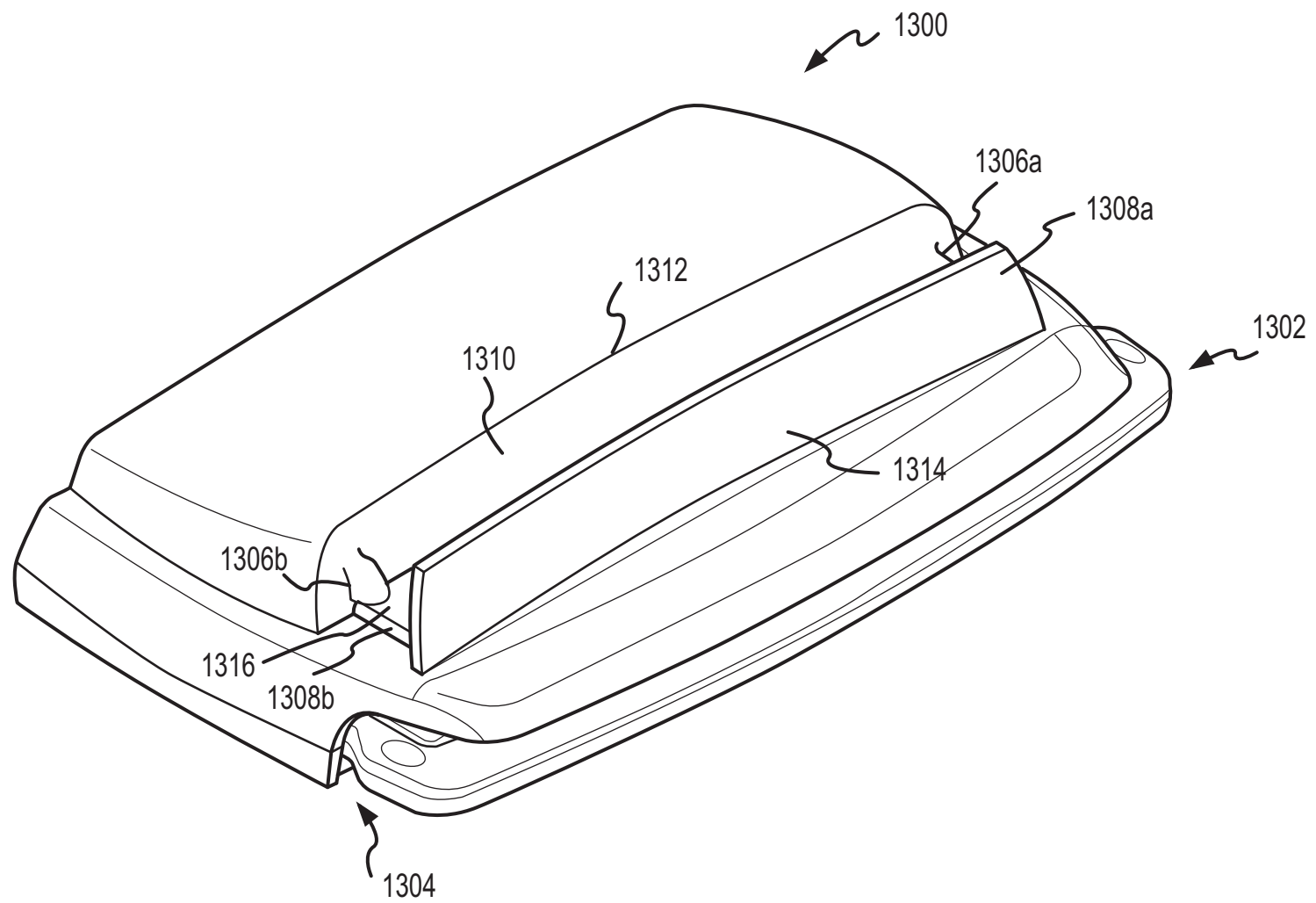


FIG.13

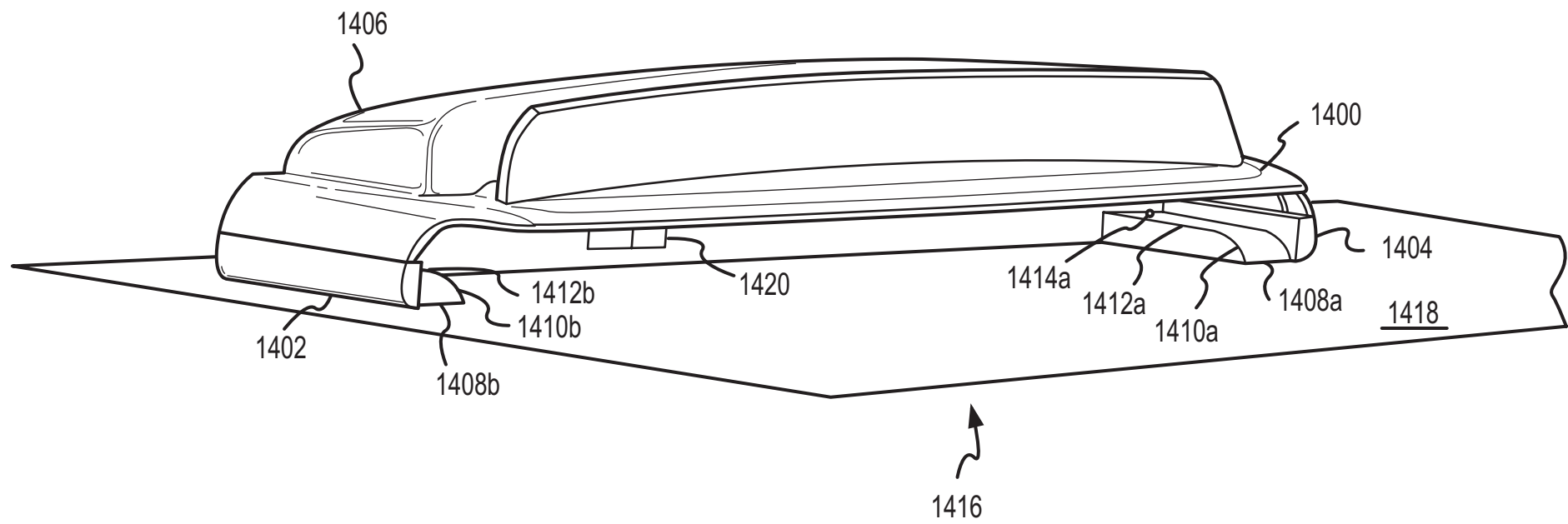


FIG.14

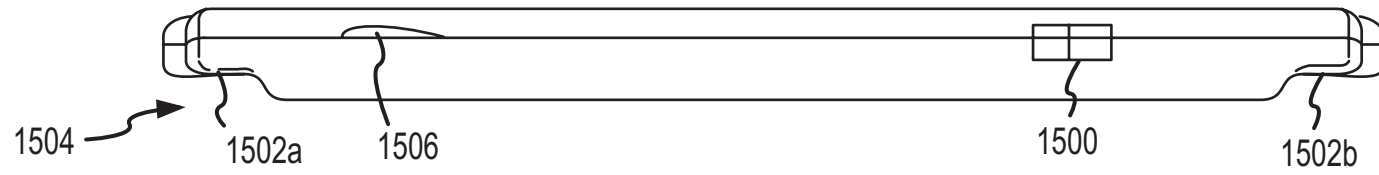


FIG. 15A

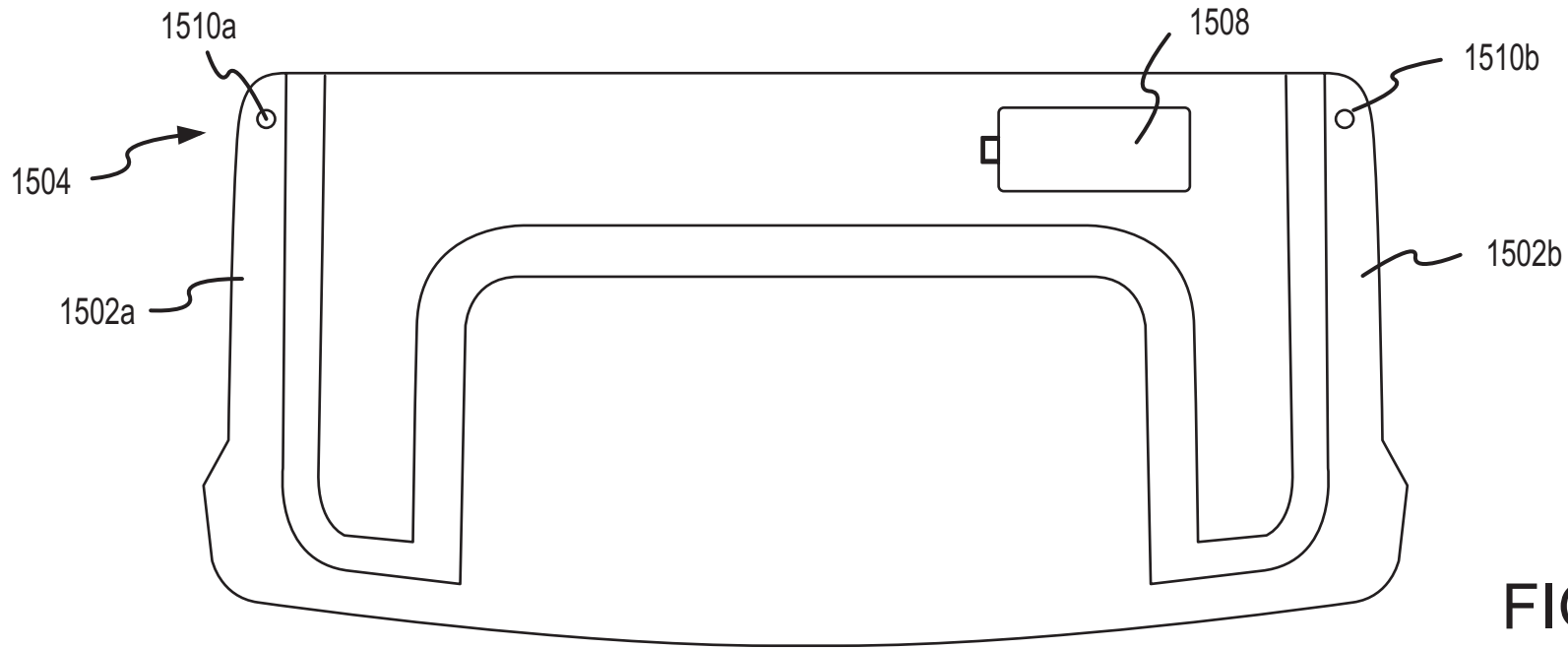


FIG. 15B

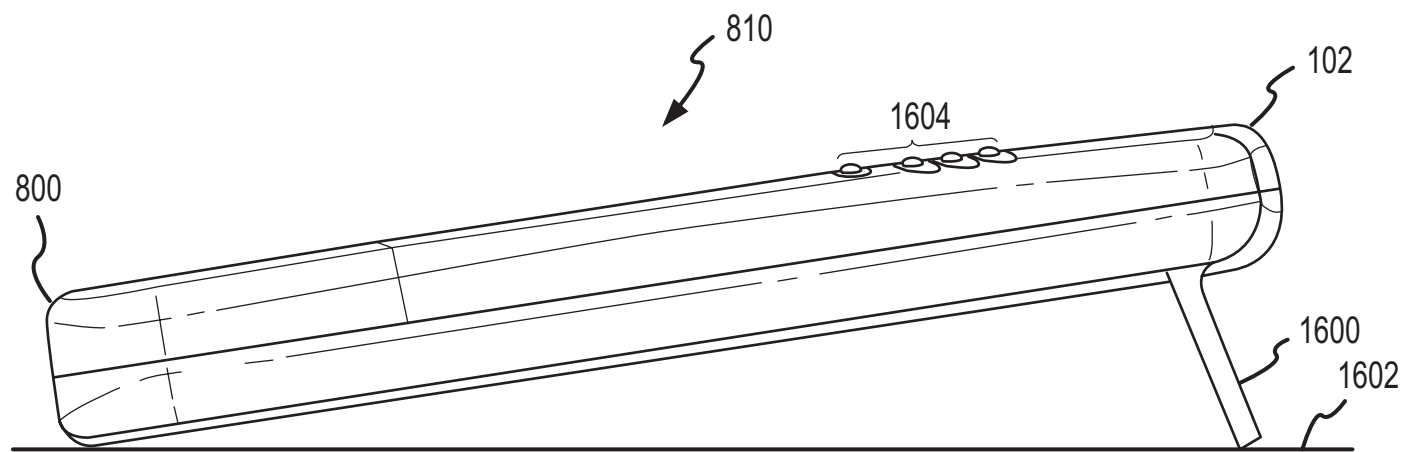


FIG.16

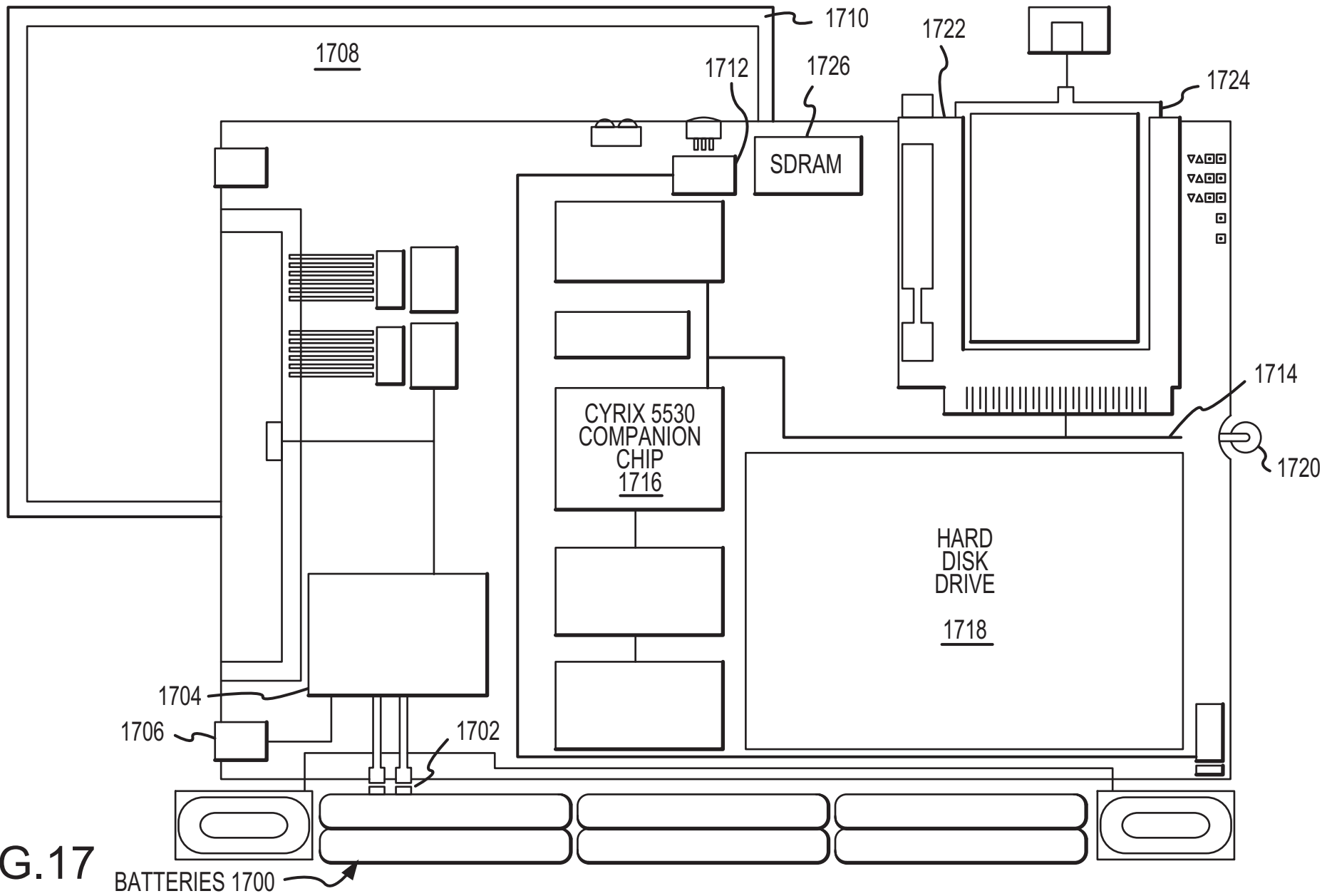


FIG. 17

BATTERIES 1700

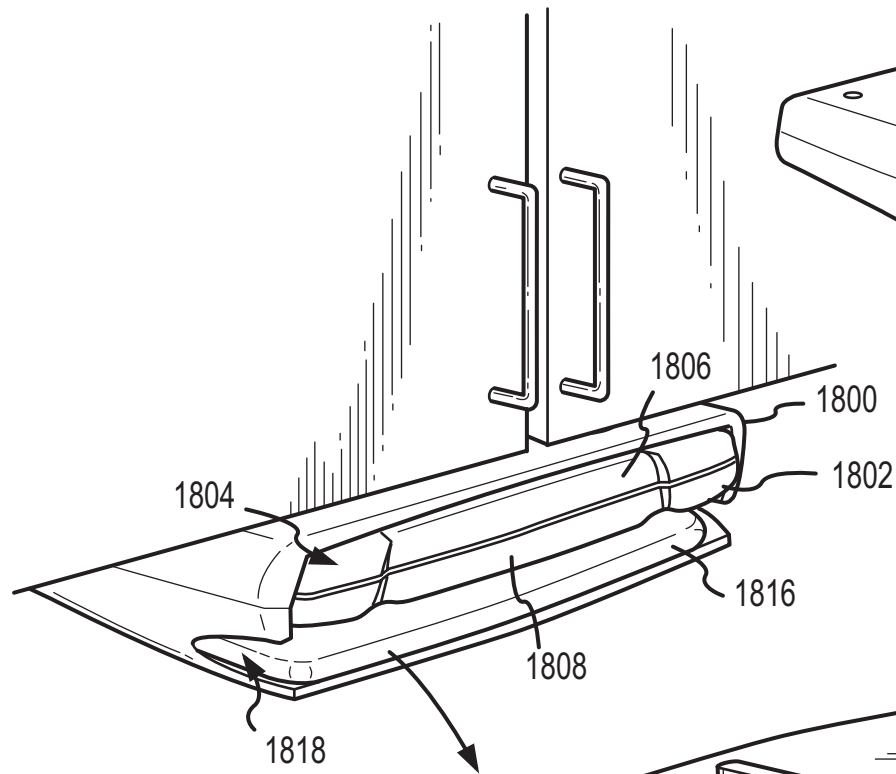


FIG. 18A

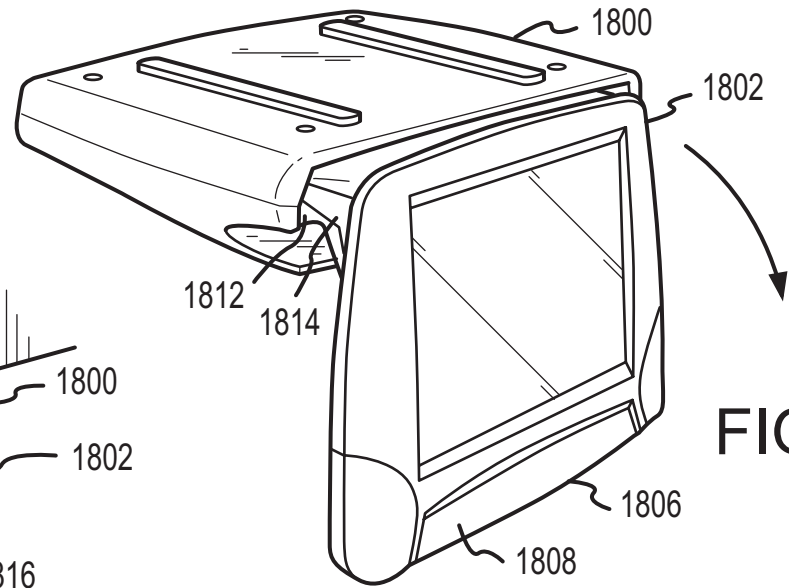


FIG. 18B

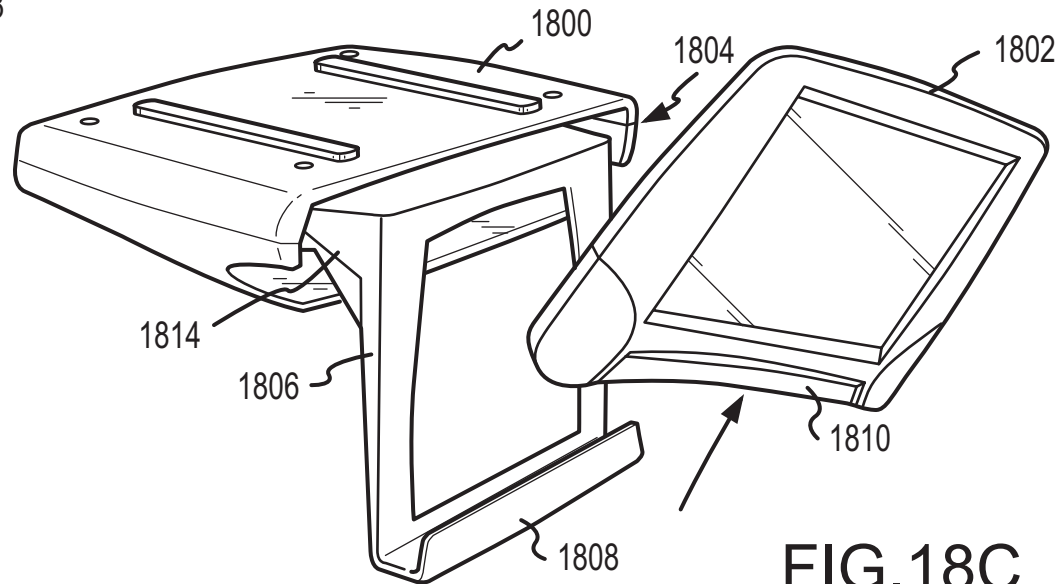


FIG. 18C

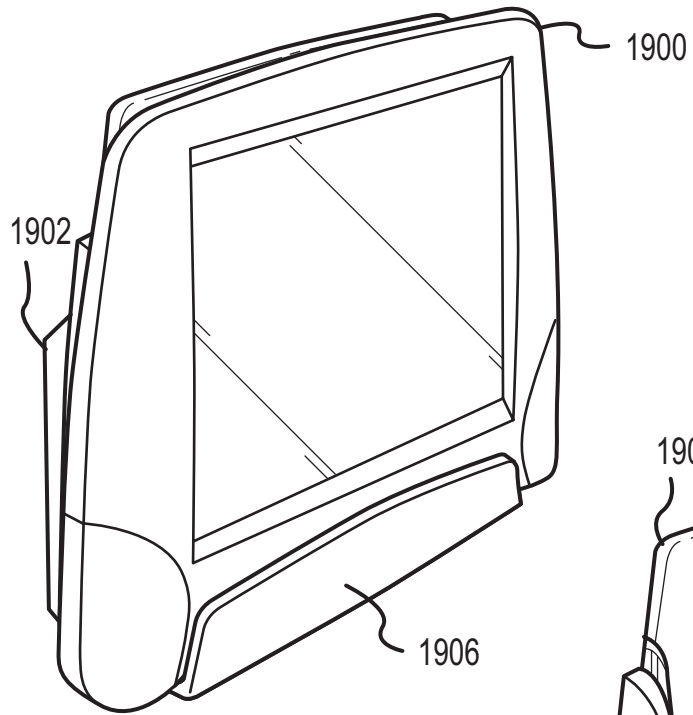


FIG. 19A

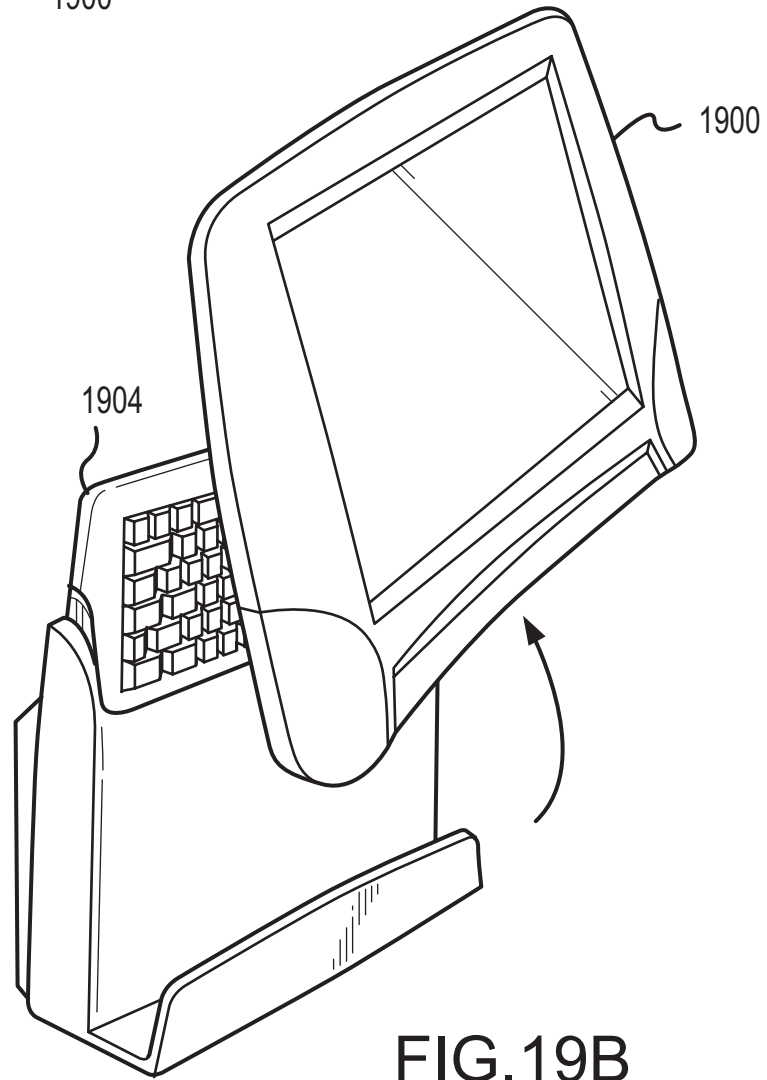


FIG. 19B

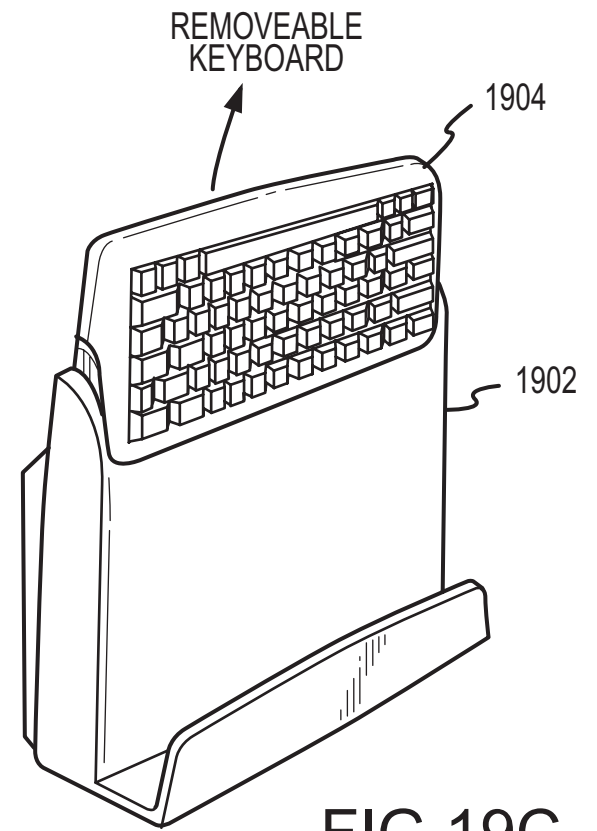


FIG. 19C